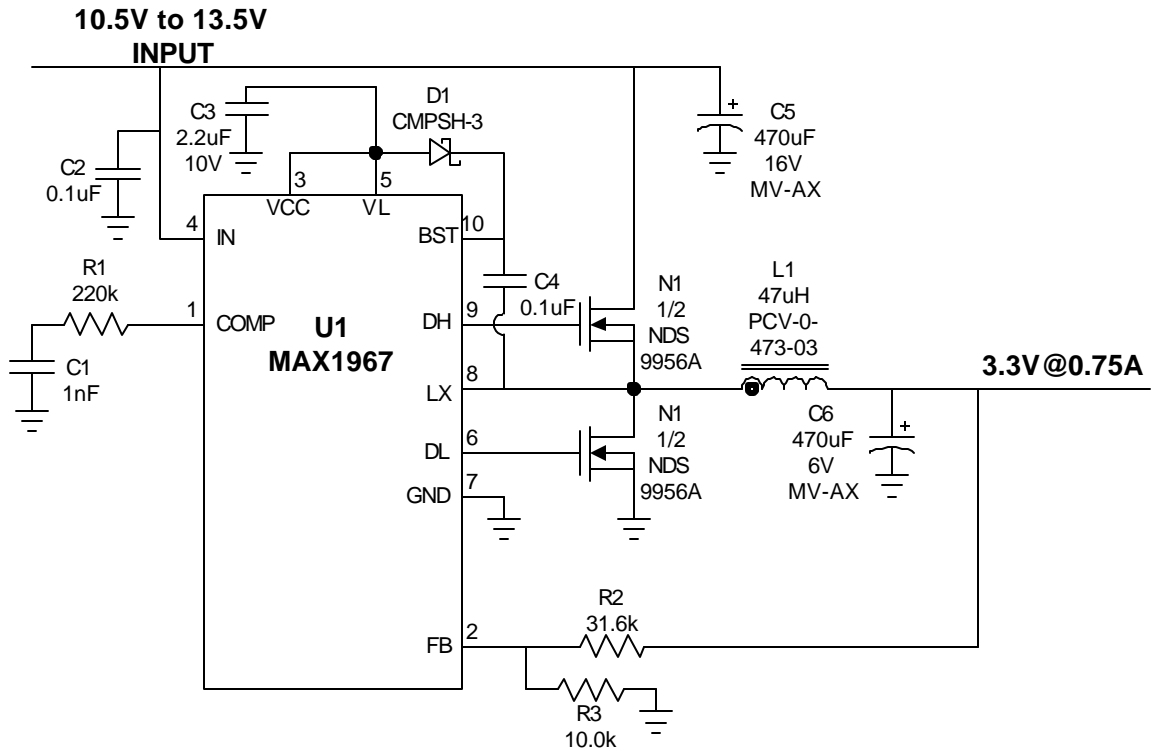


Cable modem



1967_3a3
RWY
1/29/02

Vin	Iin	Vout	Iout	Efficiency
10.48	0.0108	3.3380	0	
10.47	0.2578	3.3165	0.7510	0.923
12.00	0.2262	3.3121	0.7510	0.916
13.53	0.2018	3.3083	0.7509	0.910
		50mVpp		

BILL OF MATERIALS
10.5V to 13.5V Input
3.3V @ 0.75A Output
1/29/02

1967_3a3

DESIGNATION	QTY	DESCRIPTION
C1	1	1nF ceramic capacitor (0805)
C2,C4	2	0.1uF ceramic capacitor (0805)
C3	1	2.2uF 10V ceramic capacitor (0805) Taiyo Yuden LMK212BJ225MG
C5	1	470uF 16V aluminum electrolytic capacitor Sanyo 16MV470AX
C6	1	470uF 6V aluminum electrolytic capacitor Sanyo 6MV470AX
D1	1	100mA 30V Schottky diode (SOT-23) Central Semi CMPSH-3
L1	1	47uH 3A Power inductor Coilcraft PCV-0-473-03
N1	1	Dual N-channel MOSFET (SO-8) Fairchild NDS9956A
R1	1	220k Ohm 5% resistor (0805)
R2	1	31.6k Ohm 1% resistor (0805)
R3	1	10.0k Ohm 1% resistor (0805)
U1	1	MAX1967EUB (10-uMAX)