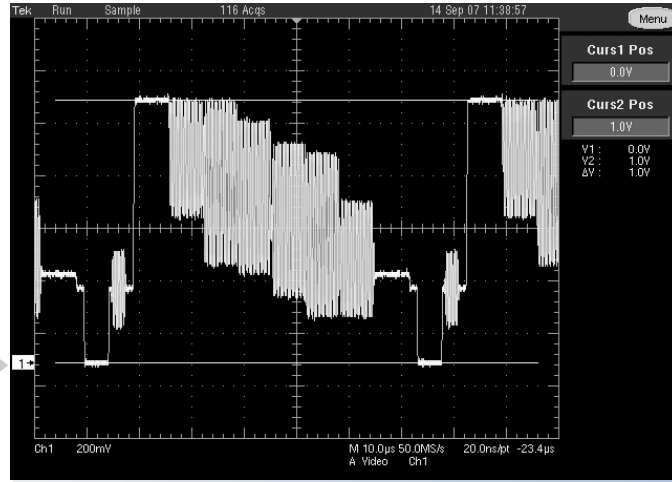
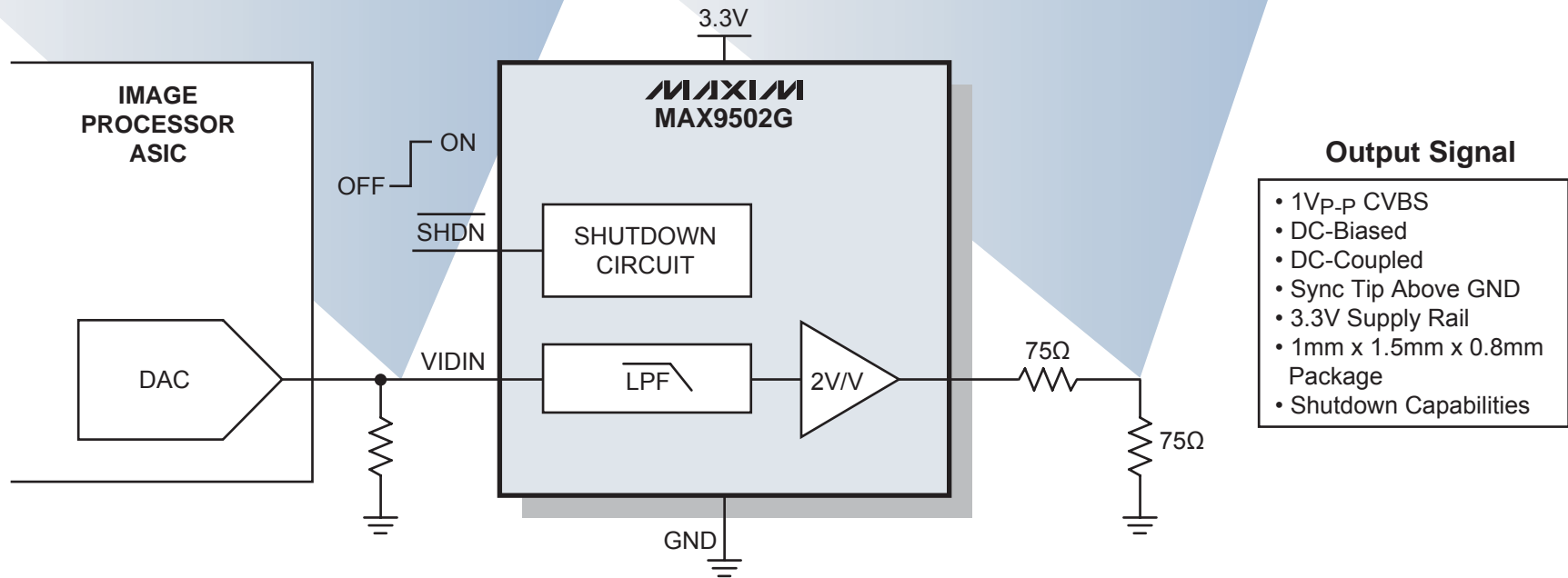
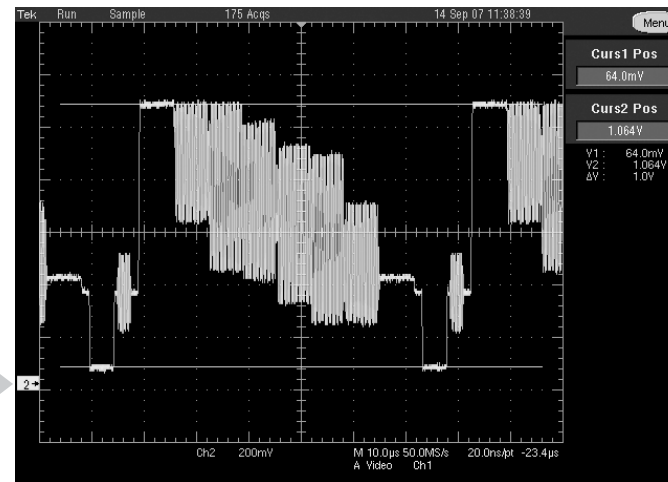


GND



GND



*Note: This solution is not recommended if AC-coupling capacitors are required on the video output line; in that situation, designers should seek a different solution.*