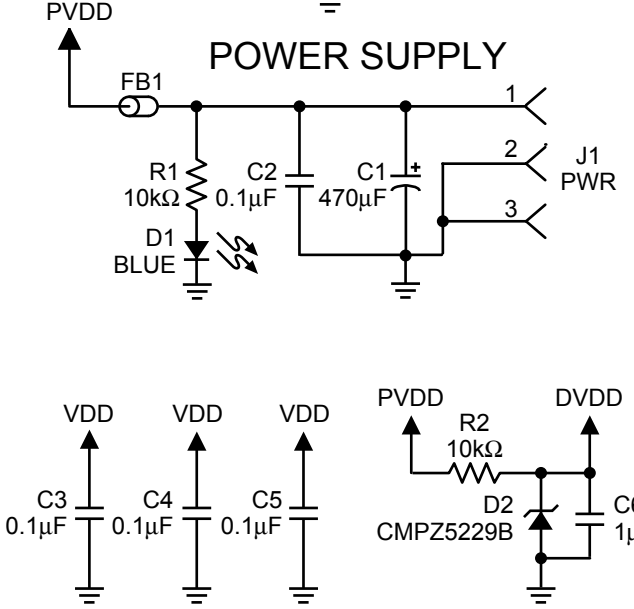
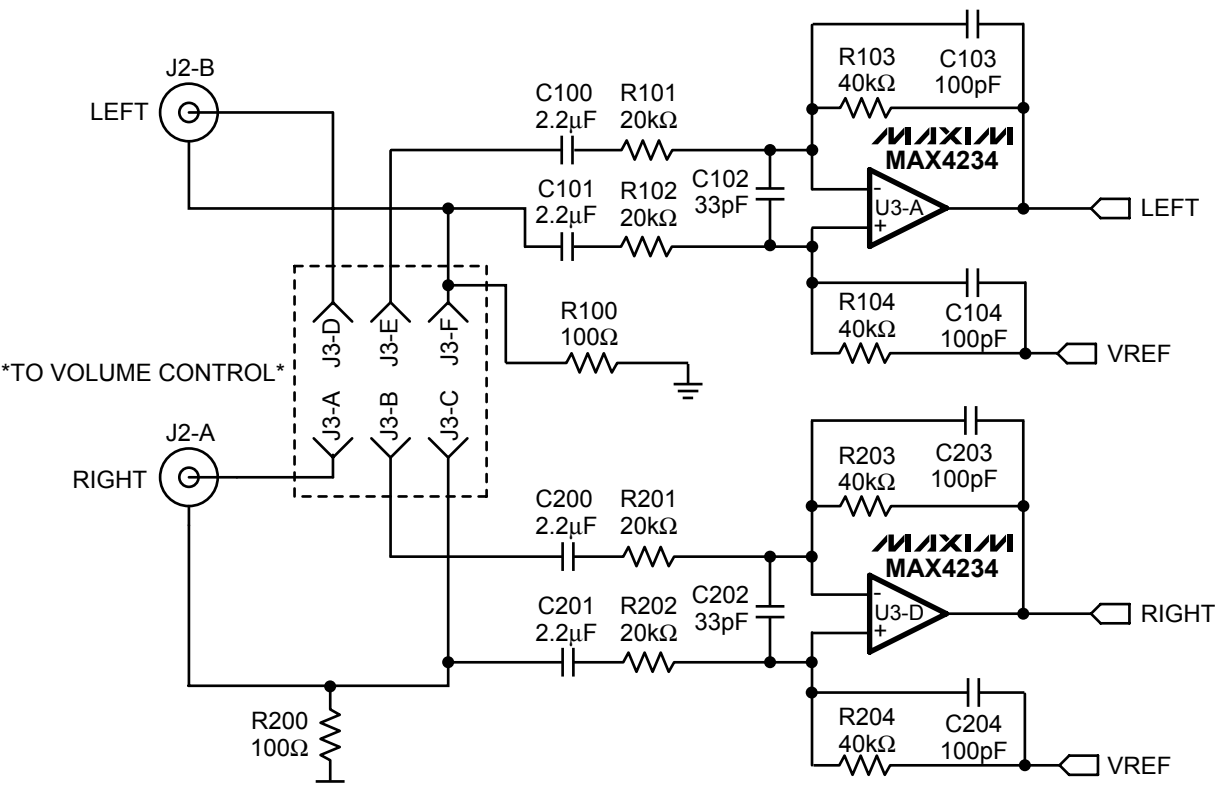
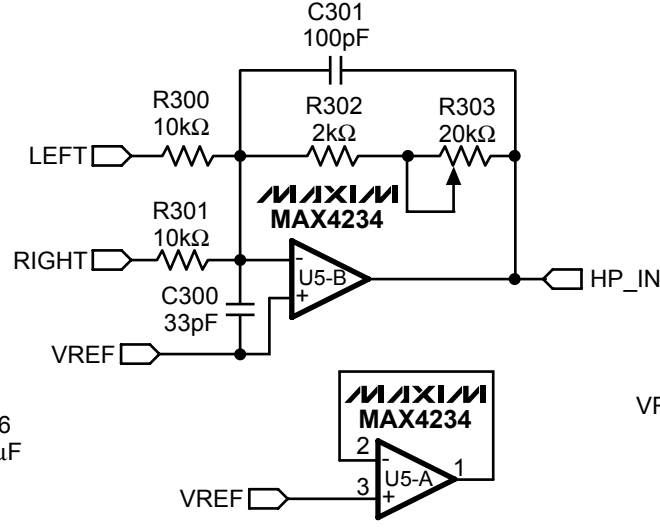


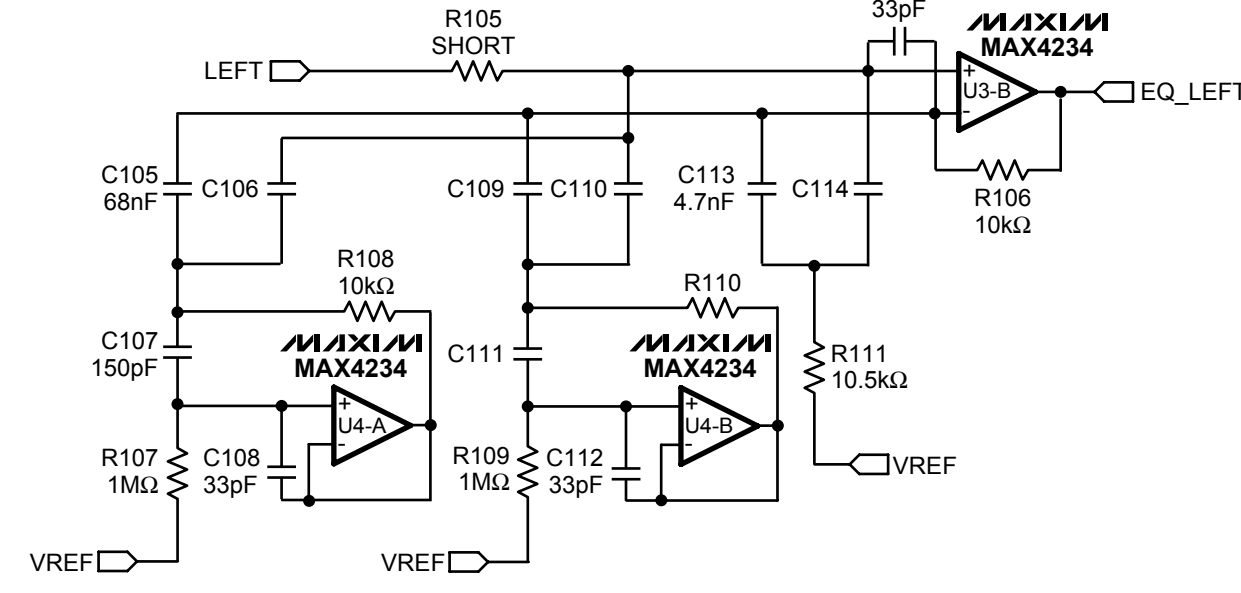
# VOLUME CONTROL AND INPUT BUFFER



# SUMMING AMPLIFIER



# LEFT EQ



# RIGHT EQ

