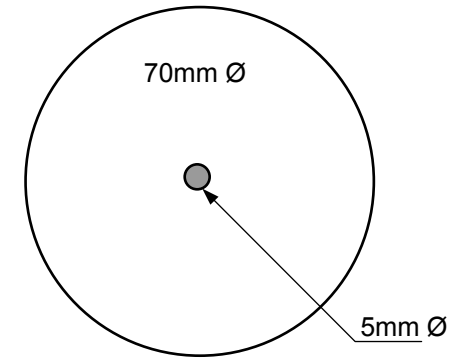


TAPPED HOLES:  
 QTY 6 x M4 TAPPING,  
 SPACING DIAMETER 142mm,  
 61.5°, 57°, 61.5°

END COVER: TWO PIECES, 4mm



CYLINDER: TWO PIECES,  
 70mm OUTER DIAMETER,  
 3mm WALL THICKNESS

