

6

5

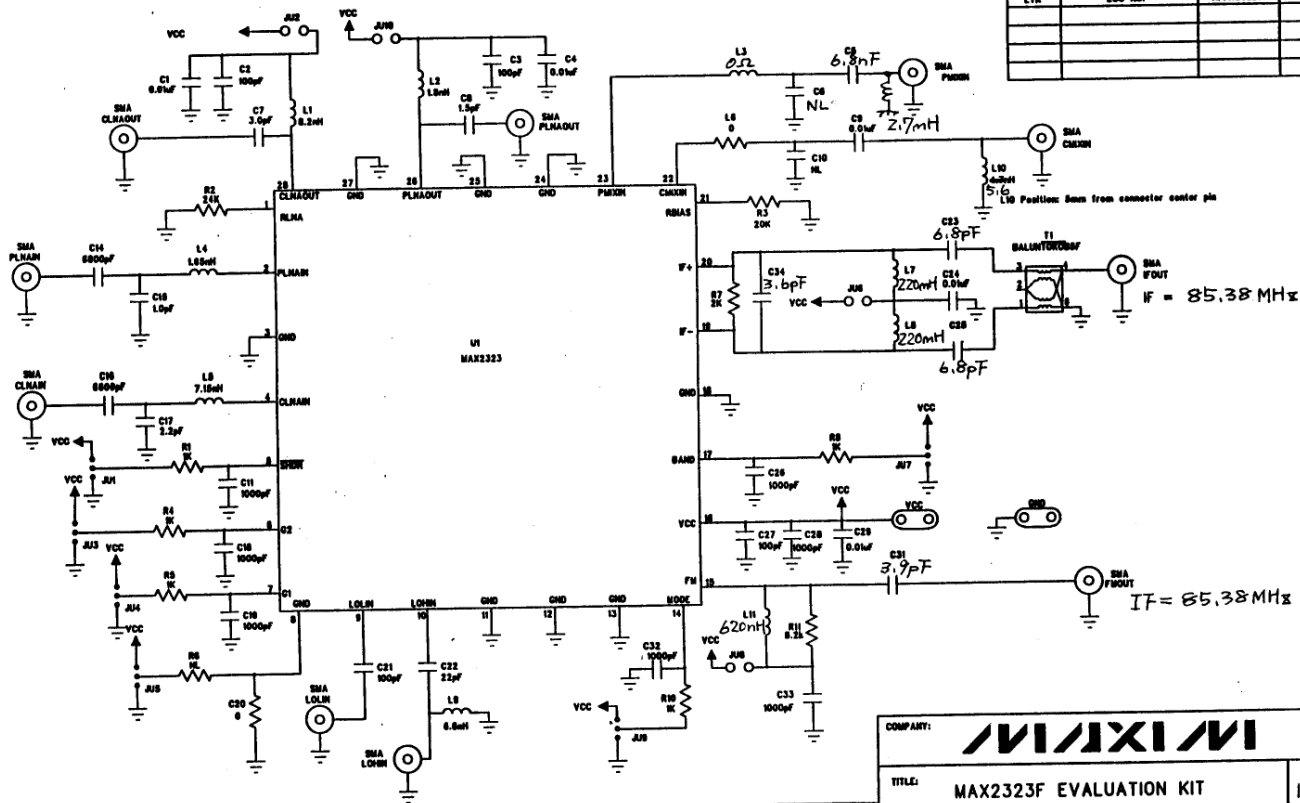
4

3

2

1

REVISION RECORD			
LTR	ECO NO.	APPROVER	DATE



COMPANY:

TITLE:

MAX2323F EVALUATION KIT

REV:

1.0

SCALE: