

6

5

4

3

2

1

D

C

B

A

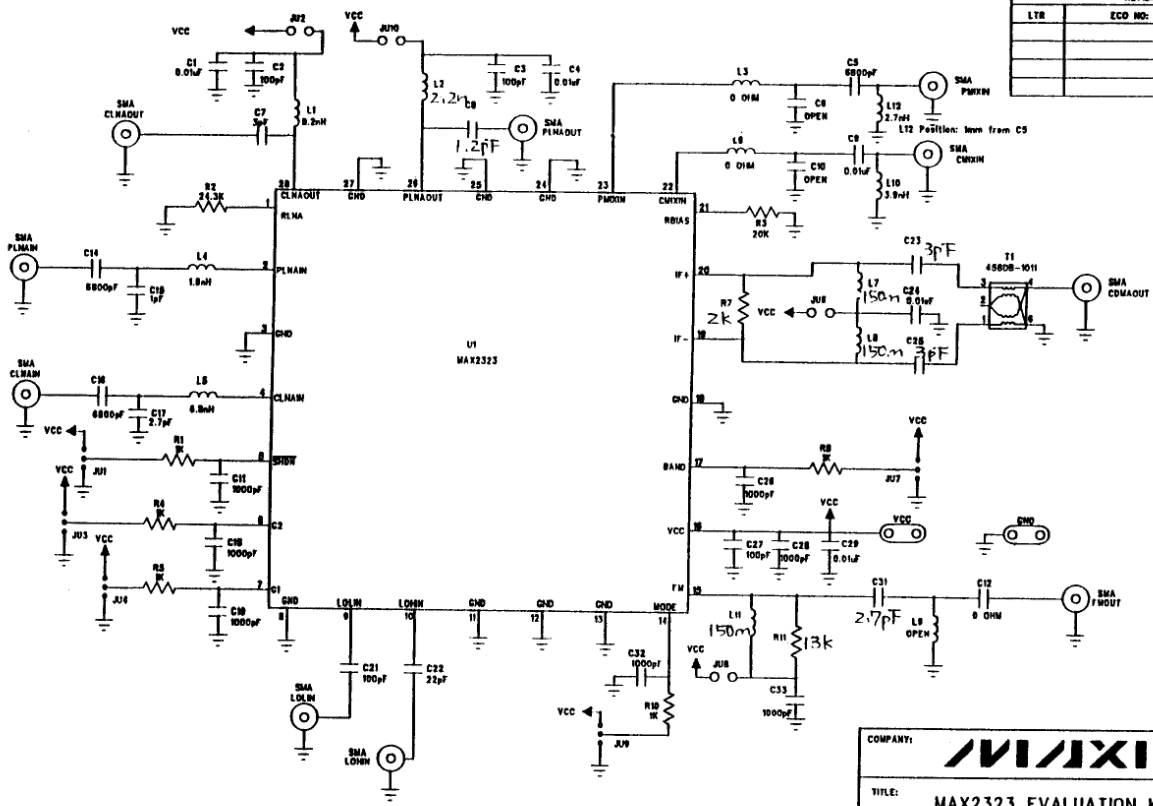
D

C

B

A

REVISION RECORD			
LTR	ECO NO:	APPROVER:	DATE:



COMPANY:		<b>MAXIM</b>	
TITLE:		MAX2323 EVALUATION KIT	
SCALE:		REV: A	
DRAWN:		SHEET: OF	

DRAWN:	DATE:
ERIK CHEUNG	4/11/2000

FRJ: CA15Q101