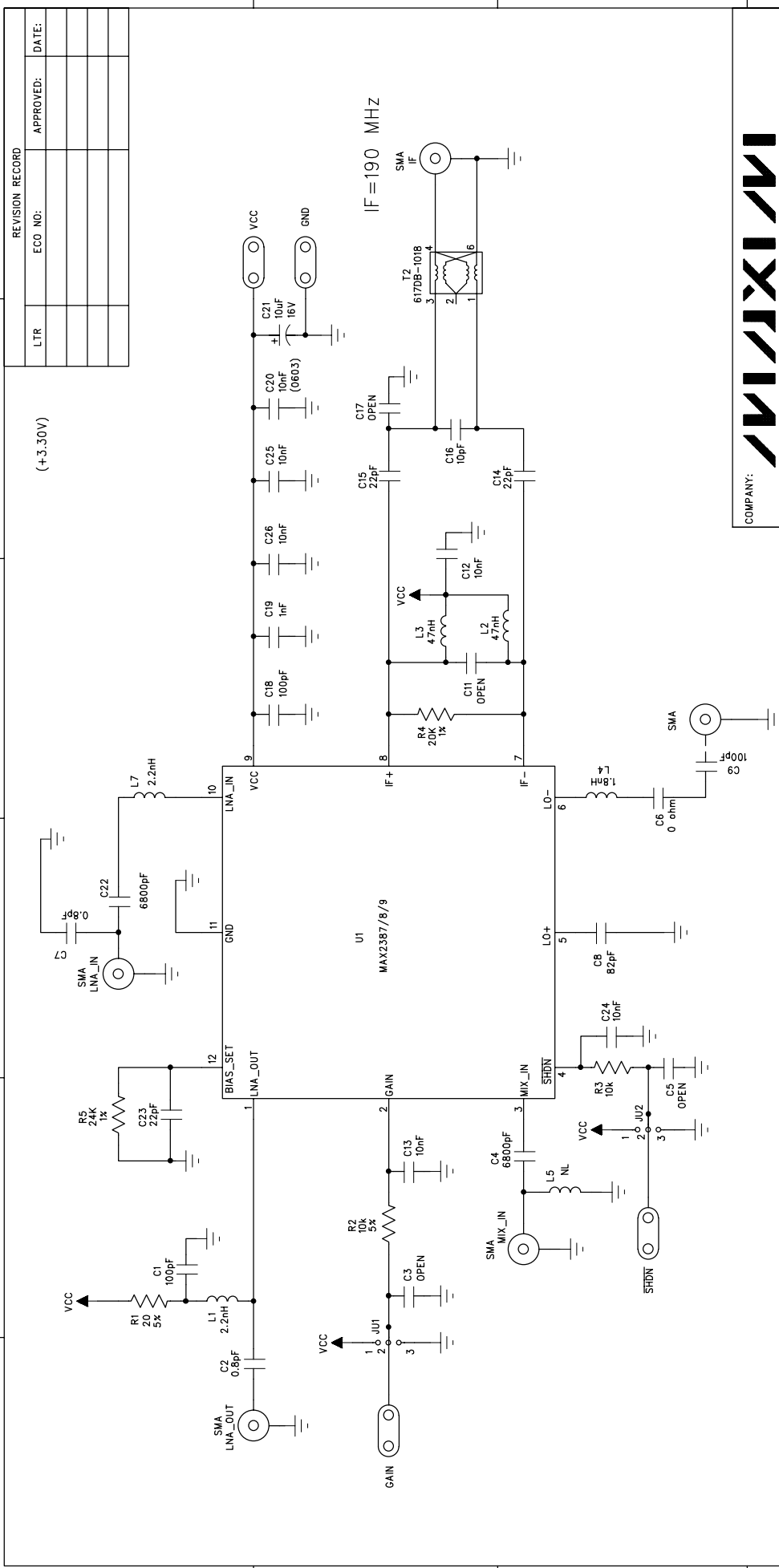


6 5 4 3 2 1



REVISION RECORD		
LTR	ECO NO:	APPROVED:
		DATE:

(+3.30V)

IF = 190 MHz



COMPANY: **MAXIM**
 TITLE: MAX2387 EVALUATION KIT
 SINGLE-ENDED IF LOAD; SINGLE-ENDED VCO

DRAWN: DANIEL KONG	DATED: 5/30/00
CHECKED:	DATED:
QUALITY CONTROL:	DATED:
RELEASED:	DATED:
CODE:	SIZE:
DRAWING NO:	REV: P1
SCALE:	SHEET: OF

NOTES:
 1. ALL CAPACITORS AND RESISTORS ARE 0402 UNLESS OTHERWISE SPECIFIED.