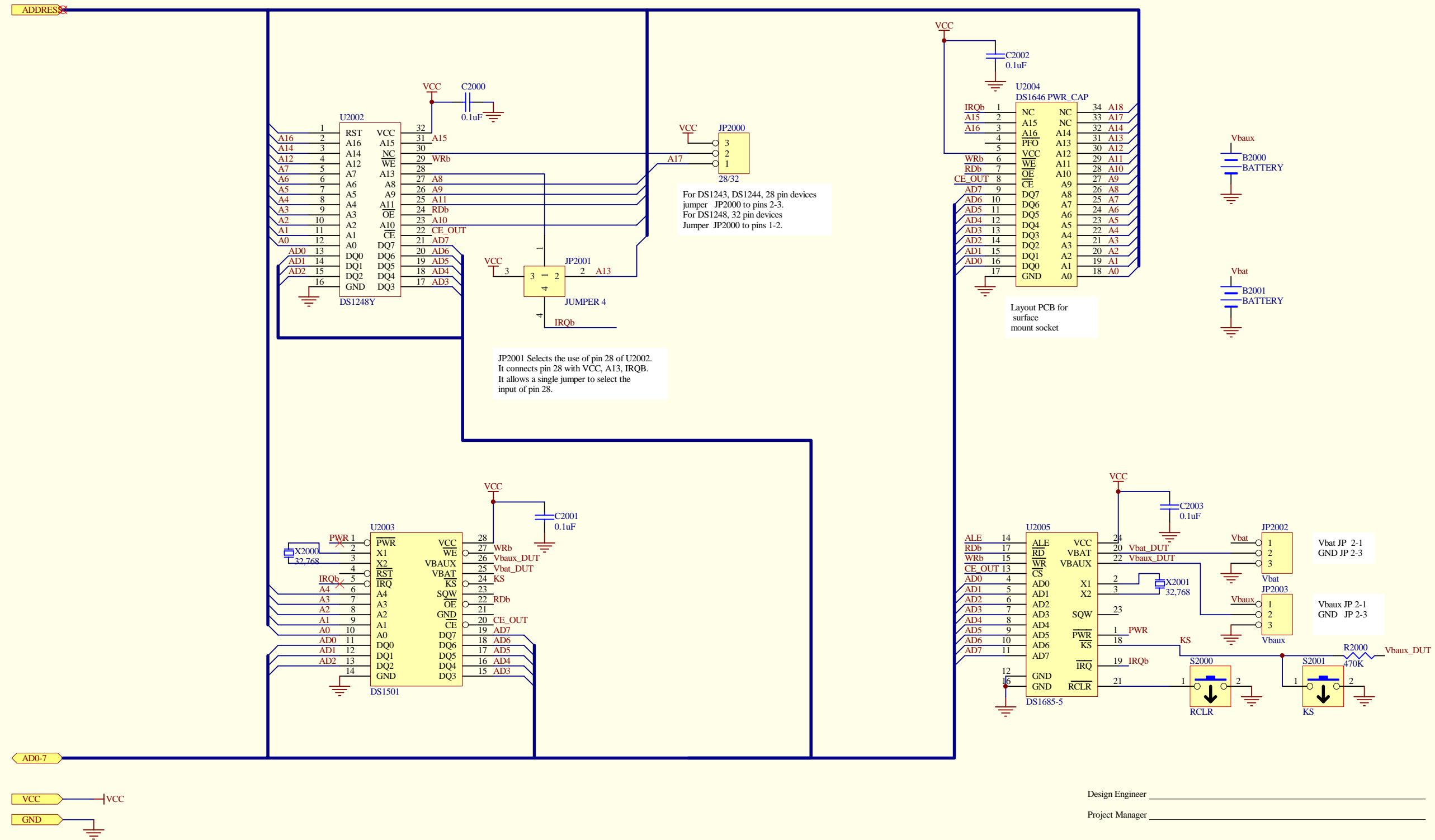


Note: Populate U2002, U2003, U2004 or U2005 as needed.



Design Engineer _____ Date _____
 Project Manager _____ Date _____

Revision History:		Date:	Approved by:	Title	
Lr:	Description:	9/26/02	CR	RTC Reference Design - R.T.C. Inf.	
A	New Design			Dallas Semiconductor 4401 S Belwood Pkwy Dallas Tx., 75491 USA	
				Size: Tabloid	Number: 1
				Date: 8-Oct-2002	Time: 07:22:44
				Sheet 2	of 2
				File: F:\Boards\Applications\Rtc_ref_design.ddb - Documents\Sheet2.sch	

